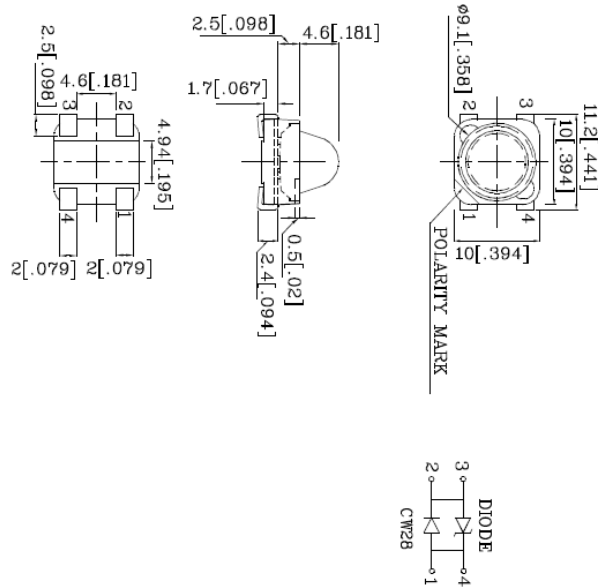


Package Dimensions

P/N: ECW95W-2
10X10MM WHITE SMD LED W/ DOME LENS



Notes:

1. All dimensions are in millimeters (inches).
2. Tolerance is $\pm 0.25(0.01")$ unless otherwise noted.
3. Lead spacing is measured where the lead emerge package.
4. Specifications are subject to change without notice.

Emitting Color	Emitting Material	Lens-color	Luminous Intensity (IF=350mA) [1]		Luminous Flux (IF=350mA)		Viewing Angle 2θ 1/2 [2]
			cd		lm		
			min.	typ.	min.	typ.	
White	AlGaInN	Water Clear	40	60	45	70	20°

Absolute Maximum Ratings at TA=25°C

Parameter	Symbol	Value	Unit
Power Dissipation	Pt	1.55	W
Junction Temperature	Tj	110	°C
Operating Temperature	Top	-40 To +85	°C
Storage Temperature	Tstg	-40 To +85	°C
DC Forward Current [1]	If	350	mA
Peak Forward Current [3]	Ifm	500	mA
Thermal Resistance [1]	Rth	9	°C/W
Electrostatic Discharge Threshold (HBM)		8000	V

Notes:

1. Results from mounting on PC board FR4 (pad size $\geq 100\text{mm}^2$ per pad), mounted on pc board-metal core PCB is recommend for lowest thermal Resistance.
2. θ 1/2 is the angle from optical centerline where the luminous intensity is 1/2 the optical centerline value.
3. 1/10 Duty Cycle, 0.1ms Pulse Width.

Electrical / Optical Characteristics at TA=25°C

Parameter	Symbol	Value	Unit
Chromaticity Coordinate x acc to CIE1931 IF=350mA [Typ.]	x	0.31	-
Chromaticity Coordinate y acc to CIE1931 IF=350mA [Typ.]	y	0.31	-
Forward Voltage IF=350mA [Min.]	Vf	3.5	V
Forward Voltage IF=350mA [Typ.]		3.9	
Forward Voltage IF=350mA [Max.]		4.4	
Temperature Coefficient Of x IF=350mA, -10 ° C \leq T \leq 100 ° C [Typ.]	TCx	-0.2	10 ⁻³ /° C
Temperature Coefficient Of y IF=350mA, -10 ° C \leq T \leq 100 ° C [Typ.]	TCy	-0.1	10 ⁻³ /° C
Temperature Coefficient Of Vf IF=350mA, -10 ° C \leq T \leq 100 ° C [Typ.]	TCv	-4.0	mV/° C